



8 Port Managed Edge Switch with PoE

Model: ES- 1008-PE



Telenet 8-port 10/100 Mbps managed edge switch is the latest generation of the fast Ethernet switching technology. The switch store and forwarding switching to ensure maximum data integrity the switch support auto sensing auto-negotiations and IEEE 802.3x flow control standard which eliminate packet loss in heavy traffic conditions. All port also support auto MDI/MDI-X feature eases the selection of cable type devices connectivity and provide a completely flexible high-performance non-blocking full wire speed solution the management features include port base, tagged base VLAN,s per port bandwidth restriction via rate limiting and port security.

Out of this port, the last port is configure as uplink port and remaining port are downlink ports the feature of port isolation is implemented in this unit is where Ethernet data of the uplink port can be transferred to any of the downlink port but individual downlink port cannot communicate with each other. Additional feature of the rate limit and broadcast storm also are present

With its unit-in remote management capability, the switch offers an easy-to-use platform-independent management of monitoring. For text-based management, the switch can also be accessed via telnet and console port for configuration and monitoring.

Telenet Systems Pvt. Ltd.

2, Mani Bhuvan, Cama Road, Ghatkopar, Mumbai 400 086, Maharashtra, INDIA

T: +91.22.25138325 / 25158374 F: +91.22.25104911 E: info@telenetsystems.com W: www.telenetsystems.com

Power over Ethernet feature:

Out of the 8 port, the 8 port is configured as uplink port (Poe-injector = data + power out) and remaining port act as downlink port (Poe -Pd = data + power in)

Power over Ethernet Poe-injector:

Telenet's 8 port manage edge switch has Poe functionality on the uplink port, this feature allows the manage edge switch to remotely power on any compatible device by "injecting" dc power through the cat-5 (10/100 mbps) Ethernet cable, following IEEE standard Poe pin out (4&5pin power+ve/pins 7&8 power-ve) our Poe injector device automatically supplies inline power to power up the compatible Poe device

Features:

1. 8-port 10/100 base-TX interface with auto sensing provide the completely flexible high-performance non-blocking full wire speed solution.
2. Support auto-negotiation for speed and duplex mode.
3. Support auto-MDIX for each port
4. The switch supports max packet size of 1536 bytes
5. The switch support standard IEEE 803.2X flow control to prevent packet loss.
6. forwarding mechanism – store and forward
7. port isolation using port-based VLAN
8. port security
9. IEEE 802.1Q tagging VLAN
10. support bandwidth control – from 128k up to full (100 mbps)
11. support broadcast storm control
12. management via telnet, web management, and console port
13. DHCP option 82
14. IGMP for multicasting

Telenet Systems Pvt. Ltd.

2, Mani Bhuvan, Cama Road, Ghatkopar, Mumbai 400 086, Maharashtra, INDIA

T: +91.22.25138325 / 25158374 F: +91.22.25104911 E: info@telenetsystems.com W: www.telenetsystems.com

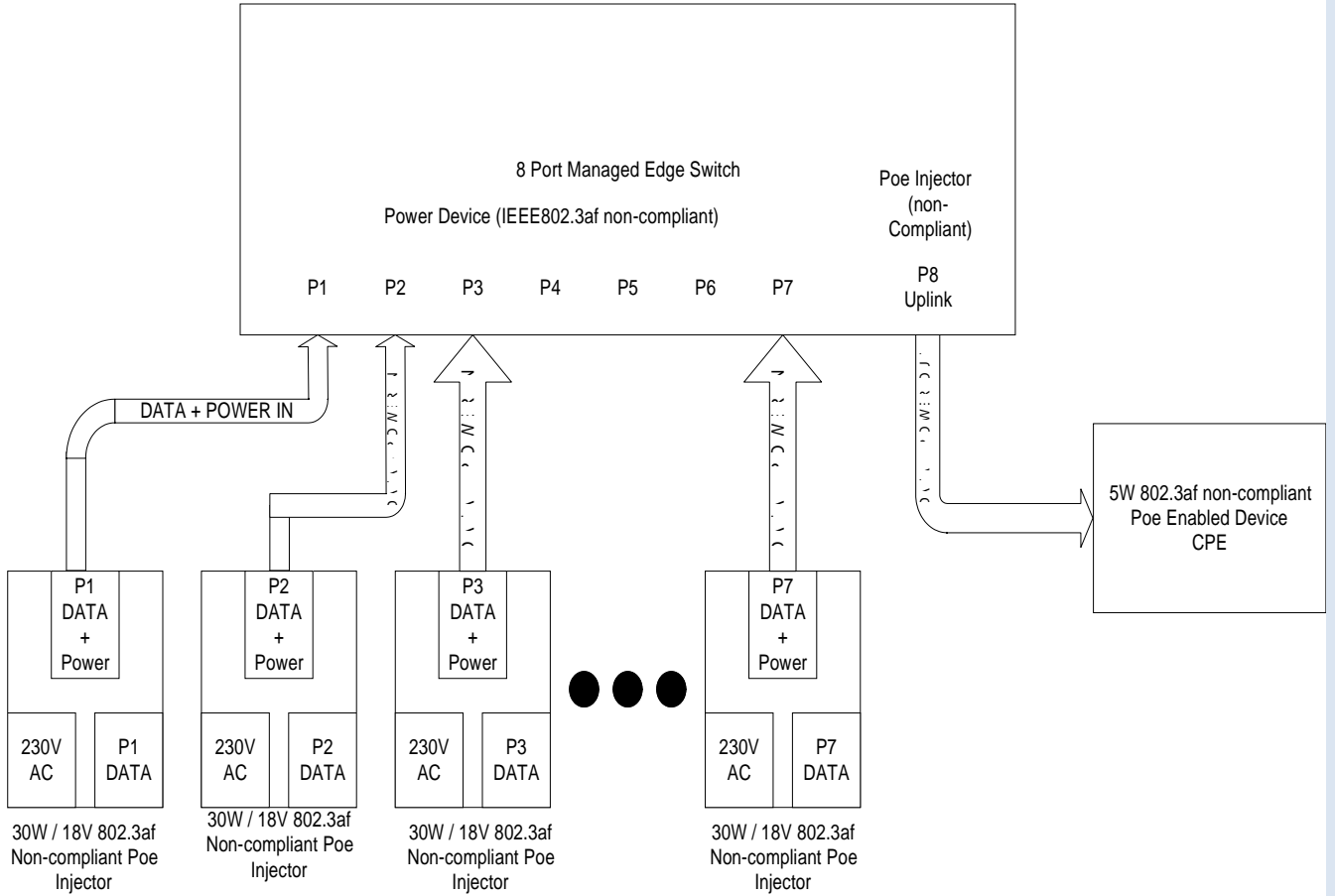
Technical specification:	
Ethernet connector	8 Port RJ45 Jacks for 10/100Base-TX with Auto-MDIX
Poe IEEE802.3af Standard	Non compliant
Specification standard	IEEE Std. 802.3 10BASE-T 10Mbps, Half/Full Duplex IEEE Std. 802.3u 100BASE-TX, 10/100Mbps, Half/Full Duplex; IEEE Std. 802.3x Flow control and Back-pressure IEEE Std. 802.1Q VLAN tagging
Protocols	Csma/cd
Technology	Store and switching architecture
Console Port	One rj 45 connector for switch management
MAC Address	1k Mac address entries with auto learning function
Network Cable	4-pin UTP/STP cat-5 24AWG cable
LEDs	Link/activity per Ethernet port Power : on/off switch
Power over Ethernet Injector: power supply (IN) For manage edge switch	Power over Ethernet 18V @ 30V on spare pair (to supply power to the managed edge switch as well as compatible Poe device (e.g. CPE)
NO. of Ethernet port that can power ON the manage edge switch	Anyone /all of seven downlink port
Power over Ethernet injector : POE-PSE-INJECTOR power OUT external compatible Poe device	Power over Ethernet injector on spare pair of uplink port : Voltage : 8V -18V Max power : 5V
NO. of Ethernet device that can be powered from the POE-PSE injector	Single
CAT-5 cable data line	Pair : 1 pins 1/2 pair : 2 pins 3/6
CAT-5 cable power line	+VDC : pins 4/5 , -VDC pins 7/8
Power consumption	5watt (edge switch) 5watt (Poe injector)
Operating temperature	0* to 40* C
Storage environment	0* to 75* C
Operating humidity	20% to 90% (non-condensing)

Telenet Systems Pvt. Ltd.

2, Mani Bhuvan, Cama Road, Ghatkopar, Mumbai 400 086, Maharashtra, INDIA

T: +91.22.25138325 / 25158374 F: +91.22.25104911 E: info@telenetsystems.com W: www.telenetsystems.com

Application Diagram:



Telnet Systems Pvt. Ltd.

2, Mani Bhuvan, Cama Road, Ghatkopar, Mumbai 400 086, Maharashtra, INDIA

T: +91.22.25138325 / 25158374 F: +91.22.25104911 E: info@telenetsystems.com W: www.telenetsystems.com